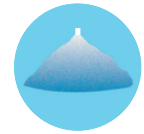


MicroWhirl® Head



(MWH) Low Flow Misting Head

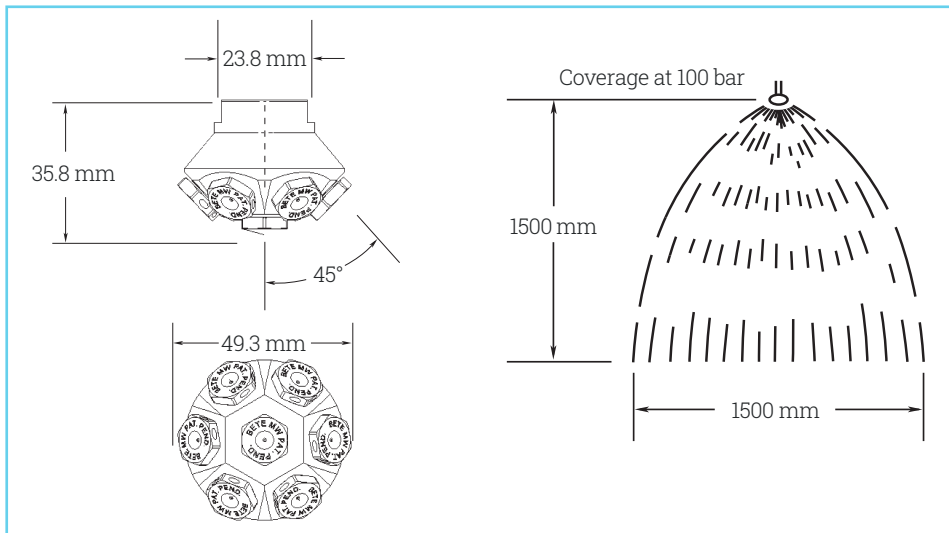


DESIGN FEATURES

- Seven MicroWhirl® misting nozzles arranged in a cluster to project spray in all directions
- Rugged construction
- Finest atomization of any direct pressure multi-nozzle
- 70 µm filter to prevent clogging
- Low flow rates provide water savings

SPRAY CHARACTERISTICS

- Mist at low pressure: fog at high pressure
 - Cone-shaped fog
- Flow rates:** 4.2 to 8.7 l/min



MISTING

MICROWHIRL® HEAD FLOW RATES & DIMENSIONS

Materials: 316 Stainless Steel, Viton® O-ring

Female Pipe Sizes	Nozzle Number	K Factor	Flow Rate (LPM) @ Differential Pressure (bar)			Wt. (g)
			70	150	300	
			bar	bar	bar	
1/2"	MW1207	0.5	4.2	6.1	8.7	184

Flow Rate (l/min) = $K\sqrt{PSI}$

Spray angle performance varies with pressure. Contact BETE for specific data on critical applications.