



Wide Range of Flows and Angles

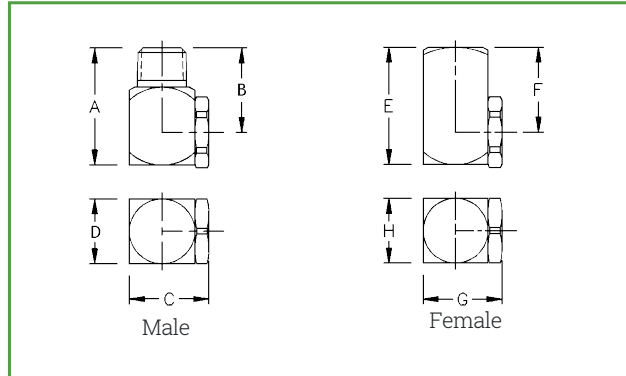


DESIGN FEATURES

- Conventional design using tangential whirl method of atomization
- Durable
- Use where a circular pattern is required or in large area multiple installations where there is considerable overlapping of sprays
- Male and female connections
- Large free passage

SPRAY CHARACTERISTICS

Spray angles: Narrow to Medium
Flow rates: 4.11 to 564 GPM



Male or Female Pipe Size	Dimensions (in.) for Metals Only							
	A	B	C	D	E	F	G	H
1/8"	1.12	0.88	0.63	0.50	1.00	0.75	0.65	0.50
1/4"	1.31	1.00	0.79	0.63	1.12	0.81	0.79	0.63
3/8"	1.50	1.12	0.97	0.75	1.34	0.97	0.97	0.75
1/2"	1.87	1.37	1.25	1.00	1.81	1.31	1.25	1.00
3/4"	2.25	1.62	1.50	1.25	2.19	1.56	1.50	1.25

HOLLOW CONE

WT FLOW RATES & DIMENSIONS

Materials: Brass, 303 Stainless Steel, 316 Stainless Steel.

Pipe Size	Nozzle Number	Spray Angle		Flow Rate (GPM) @ Differential Pressure (psi)									Approx. (in)		Wt (oz.)	
				K	5	10	20	30	40	60	80	100	Inlet Dia.	Orifice Dia.	Metal	Plas.
				Factor	psi	psi	psi	psi	psi	psi	psi	psi				
1/8"	WT10	70°	110°	0.0158	0.04	0.05	0.07	0.09	0.10	0.12	0.14	0.16	0.04	0.05	1.00	0.50
	WT20	70°	115°	0.0316	0.07	0.10	0.14	0.17	0.20	0.24	0.28	0.32	0.06	0.06		
	WT40	70°		0.0632	0.14	0.20	0.28	0.35	0.40	0.49	0.57	0.63	0.09	0.09		
	WT50		115°	0.0791	0.18	0.25	0.35	0.43	0.50	0.61	0.71	0.79	0.09	0.09		
	WT60	70°	115°	0.0949	0.21	0.30	0.42	0.52	0.60	0.73	0.85	0.95	0.10	0.11		
	WT70		115°	0.111	0.25	0.35	0.49	0.61	0.70	0.86	0.99	1.11	0.10	0.11		
	WT80		120°	0.126	0.28	0.40	0.57	0.69	0.80	0.98	1.13	1.26	0.11	0.12		
	WT100	70°	115°	0.158	0.35	0.50	0.71	0.87	1.00	1.22	1.41	1.58	0.13	0.13		
	WT130	70°	120°	0.206	0.46	0.65	0.92	1.13	1.30	1.59	1.84	2.06	0.14	0.14		
	WT160		70°	0.253	0.57	0.80	1.13	1.39	1.60	1.96	2.26	2.53	0.15	0.16		
	WT180		120°	0.285	0.64	0.90	1.27	1.56	1.80	2.20	2.55	2.85	0.17	0.16		
WT200	70°		0.316	0.71	1.00	1.41	1.73	2.00	2.45	2.83	3.16	0.17	0.19			
1/4"	WT12		80°	0.0190	0.04	0.06	0.08	0.10	0.12	0.15	0.17	0.19	0.04	0.05	1.75	0.50
	WT18		80°	0.0285	0.06	0.09	0.13	0.16	0.18	0.22	0.25	0.28	0.06	0.06		
	WT20	70°	110°	0.0316	0.07	0.10	0.14	0.17	0.20	0.24	0.28	0.32	0.06	0.06		
	WT27		80°	0.0427	0.10	0.14	0.19	0.23	0.27	0.33	0.38	0.43	0.07	0.08		
	WT35		100°	0.0553	0.12	0.18	0.25	0.30	0.35	0.43	0.49	0.55	0.08	0.09		
	WT40	70°	80°	0.0632	0.14	0.20	0.28	0.35	0.40	0.49	0.57	0.63	0.08	0.09		
	WT42		120°	0.0664	0.15	0.21	0.30	0.36	0.42	0.51	0.59	0.66	0.08	0.09		
	WT48		105°	0.0759	0.17	0.24	0.34	0.42	0.48	0.59	0.68	0.76	0.09	0.11		

Flow Rate (GPM) = $K\sqrt{PSI}$

Spray angle performance varies with pressure. Contact BETE for specific data on critical applications.



WT FLOW RATES & DIMENSIONS

Materials: Brass, 303 Stainless Steel, 316 Stainless Steel.

Pipe Size	Nozzle Number	Spray Angle	K Factor	Flow Rate (GPM) @ Differential Pressure (psi)								Approx. (in)		Wt (oz.)		
				5	10	20	30	40	60	80	100	Inlet Dia.	Orifice Dia.	Metal	Plas.	
				psi	psi	psi	psi	psi	psi	psi	psi					
1/4"	WT53	80°	0.084	0.19	0.27	0.37	0.46	0.53	0.65	0.75	0.84	0.09	0.11	1.75	0.50	
	WT60	70°	0.095	0.21	0.30	0.42	0.52	0.60	0.73	0.85	0.95	0.10	0.11			
	WT68	120°	0.108	0.24	0.34	0.48	0.59	0.68	0.83	0.96	1.08	0.10	0.13			
	WT80	120°	0.126	0.28	0.40	0.57	0.69	0.80	0.98	1.13	1.26	0.13	0.13			
	WT100	70°	115°	0.158	0.35	0.50	0.71	0.87	1.00	1.22	1.41	1.58	0.13			0.14
	WT130	120°	0.206	0.46	0.65	0.92	1.13	1.30	1.59	1.84	2.06	0.15	0.16			
	WT150	120°	0.237	0.53	0.75	1.06	1.30	1.50	1.84	2.12	2.37	0.16	0.17			
	WT160	70°	0.253	0.57	0.80	1.13	1.39	1.60	1.96	2.26	2.53	0.16	0.17			
	WT180	120°	0.285	0.64	0.90	1.27	1.56	1.80	2.20	2.55	2.85	0.18	0.18			
	WT200	70°	120°	0.316	0.71	1.00	1.41	1.73	2.00	2.45	2.83	0.18	0.19			
	WT220	120°	0.348	0.78	1.10	1.56	1.91	2.20	2.69	3.11	3.48	0.18	0.22			
	WT240	120°	0.379	0.85	1.20	1.70	2.08	2.40	2.94	3.39	3.79	0.20	0.20			
	WT260	80°	0.411	0.92	1.30	1.84	2.25	2.60	3.18	3.68	4.11	0.20	0.20			
	WT280	80°	0.443	0.99	1.40	1.98	2.42	2.80	3.43	3.96	4.43	0.20	0.22			
	WT300	70°	100°	0.474	1.06	1.50	2.12	2.60	3.00	3.67	4.24	0.20	0.22			
	WT340	80°	0.538	1.20	1.70	2.40	2.94	3.40	4.16	4.81	5.38	0.22	0.24			
	WT400	80°	0.632	1.41	2.00	2.83	3.46	4.00	4.90	5.66	6.32	0.25	0.28			
	WT480	80°	0.759	1.70	2.40	3.39	4.16	4.80	5.88	6.79	7.59	0.25	0.27			
WT580	80°	0.917	2.05	2.90	4.10	5.02	5.80	7.10	8.20	9.17	0.27	0.30				
WT640	80°	1.012	2.26	3.20	4.53	5.54	6.40	7.84	9.05	10.12	0.27	0.30				
WT680	80°	1.075	2.40	3.40	4.81	5.89	6.80	8.33	9.62	10.75	0.27	0.34				
3/8"	WT130	120°	0.206	0.46	0.65	0.92	1.13	1.30	1.59	1.84	2.06	0.14	0.18	3.25	1.00	
	WT150	120°	0.237	0.53	0.75	1.06	1.30	1.50	1.84	2.12	2.37	0.17	0.18			
	WT160	70°	0.253	0.57	0.80	1.13	1.39	1.60	1.96	2.26	2.53	0.17	0.18			
	WT180	120°	0.285	0.64	0.90	1.27	1.56	1.80	2.20	2.55	2.85	0.17	0.19			
	WT200	70°	115°	0.316	0.71	1.00	1.41	1.73	2.00	2.45	2.83	0.19	0.20			
	WT220	120°	0.348	0.78	1.10	1.56	1.91	2.20	2.69	3.11	3.48	0.19	0.20			
	WT240	125°	0.379	0.85	1.20	1.70	2.08	2.40	2.94	3.39	3.79	0.19	0.20			
	WT260	120°	0.411	0.92	1.30	1.84	2.25	2.60	3.18	3.68	4.11	0.19	0.23			
	WT270	120°	0.427	0.95	1.35	1.91	2.34	2.70	3.31	3.82	4.27	0.20	0.23			
	WT300	70°	115°	0.474	1.06	1.50	2.12	2.60	3.00	3.67	4.24	0.20	0.23			
	WT350	115°	0.553	1.24	1.75	2.47	3.03	3.50	4.29	4.95	5.53	0.22	0.25			
	WT400	70°	105°	0.632	1.41	2.00	2.83	3.46	4.00	4.90	5.66	0.22	0.27			
	WT440	105°	0.696	1.56	2.20	3.11	3.81	4.40	5.39	6.22	6.96	0.26	0.30			
	WT500	70°	105°	0.791	1.77	2.50	3.54	4.33	5.00	6.12	7.07	0.26	0.28			
WT560	105°	0.885	1.98	2.80	3.96	4.85	5.60	6.86	7.92	8.85	0.26	0.31				
WT600	70°	0.949	2.12	3.00	4.24	5.20	6.00	7.35	8.49	9.49	0.31	0.31				
WT800	70°	1.265	2.83	4.00	6.93	8.00	9.80	11.31	12.65	0.27	0.34					
WT1000	70°	1.581	3.54	5.00	7.07	8.66	10.0	12.3	14.1	15.8	0.34	0.38				
1/2"	WT500	70°	0.791	1.77	2.50	3.54	4.33	5.00	6.12	7.07	7.91	0.30	0.30	6.50	2.25	
	WT600	70°	0.949	2.12	3.00	4.24	5.20	6.00	7.35	8.49	9.49	0.33	0.31			
	WT800	70°	1.265	2.83	4.00	5.66	6.93	8.00	9.80	11.3	12.7	0.36	0.36			
	WT1000	70°	1.581	3.54	5.00	7.07	8.66	10.0	12.3	14.1	15.8	0.36	0.44			
	WT1200	70°	1.897	4.24	6.00	8.49	10.4	12.0	14.7	17.0	19.0	0.40	0.48			
3/4"	WT800	70°	1.265	2.83	4.00	5.66	6.93	8.00	9.80	11.3	12.7	0.36	0.38	12.00	3.00	
	WT1000	70°	1.581	3.54	5.00	7.07	8.66	10.0	12.3	14.1	15.8	0.40	0.44			
	WT1200	80°	1.897	4.24	6.00	8.49	10.4	12.0	14.7	17.0	19.0	0.44	0.44			
	WT1400	80°	115°	2.214	4.95	7.00	9.90	12.1	14.0	17.2	19.8	0.47	0.48			
	WT1600	80°	2.530	5.66	8.00	11.3	13.9	16.0	19.6	22.6	25.3	0.48	0.51			
	WT1800	90°	2.846	6.36	9.00	12.7	15.6	18.0	22.1	25.5	28.5	0.50	0.56			
	WT2000	90°	3.162	7.07	10.0	14.1	17.3	20.0	24.5	28.3	31.6	0.52	0.59			
	WT2200	90°	3.479	7.78	11.0	15.6	19.1	22.0	26.9	31.1	34.8	0.53	0.63			
WT2400	90°	3.795	8.49	12.0	17.0	20.8	24.0	29.4	33.9	38.0	0.55	0.69				

HOLLOW CONE

Flow Rate (GPM) = $K\sqrt{PSI}$

Spray angle performance varies with pressure. Contact BETE for specific data on critical applications.