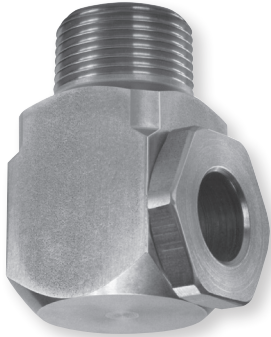




## Wide Range of Flows and Angles



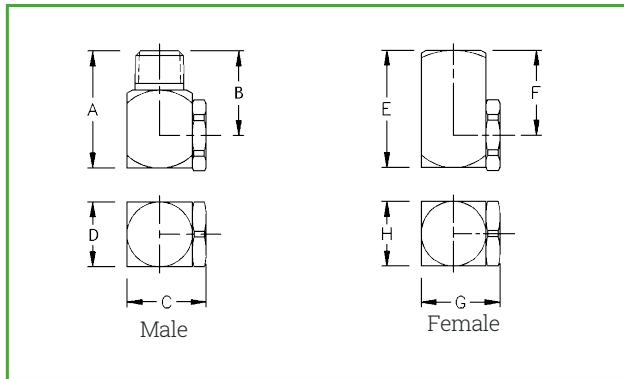
### DESIGN FEATURES

- Conventional design using tangential whirl method of atomization
- Durable construction
- Use where a circular pattern is required or in large area multiple installations where there is considerable overlapping of sprays
- Male and female connections
- Large free passage

### SPRAY CHARACTERISTICS

**Spray angles:** Narrow to Medium

**Flow rates:** 0.125 to 2.89 L/min



Male or Female Pipe Size	Dimensions (mm) for Metals Only							
	A	B	C	D	E	F	G	H
1/8"	28.4	22.4	16.0	12.7	22.4	16.0	16.5	12.7
1/4"	33.3	25.4	20.1	16.0	28.4	20.6	20.1	16.0
3/8"	38.1	28.4	24.6	19.1	34.0	24.6	24.6	19.1
1/2"	47.5	34.8	31.8	25.4	46.0	33.3	31.8	25.4
3/4"	57.2	41.1	38.1	31.8	55.6	39.6	38.1	31.8

## WT FLOW RATES & DIMENSIONS

Materials: Brass, 303 Stainless Steel, 316 Stainless Steel.

Pipe Size	Nozzle Number	Spray Angle	Flow Rate (LPM) @ Differential Pressure (bar)										Approx. (mm)		Wt (g)	
			K	0.3	0.5	0.7	1	2	3	5	7	Inlet Dia.	Orifice Dia.	Metal	Plas.	
			Factor	bar	bar	bar	bar	bar	bar	bar	bar					
1/8"	WT10	70°	0.228	0.125	0.161	0.191	0.228	0.322	0.395	0.510	0.603	1.02	1.17	28	14	
	WT20	70°	0.456	0.250	0.322	0.381	0.456	0.645	0.789	1.02	1.21	1.52	1.52			
	WT40	70°	0.912	0.499	0.645	0.763	0.912	1.29	1.58	2.04	2.41	2.29	2.29			
	WT50		115°	1.14	0.624	0.806	0.953	1.14	1.61	2.97	2.55	3.01	2.29			2.29
	WT60	70°	115°	1.37	0.749	0.967	1.14	1.37	1.93	2.37	3.06	3.62	2.54			2.79
	WT70		115°	1.60	0.874	1.13	1.33	1.60	2.26	2.76	3.57	4.22	2.54			2.79
	WT80		120°	1.82	0.999	1.29	1.53	1.82	2.58	3.16	4.08	4.82	2.79			3.05
	WT100	70°	115°	2.28	1.25	1.61	1.91	2.28	3.22	3.95	5.10	6.03	3.30			3.30
	WT130	70°	120°	2.96	1.62	2.09	2.48	2.96	4.19	5.13	6.62	7.84	3.56			3.56
	WT160	70°		3.65	2.00	2.58	3.05	3.65	5.16	6.32	8.15	9.65	3.81			4.06
1/4"	WT180		4.10	2.25	2.90	3.43	4.10	5.80	7.10	9.17	10.9	4.32	4.06			
	WT200	70°	4.56	2.50	3.22	3.81	4.56	6.45	7.89	10.2	12.1	4.32	4.83			
	WT12		80°	0.273	0.150	0.193	0.229	0.273	0.387	0.474	0.611	0.724	1.02	1.27	85	21
	WT18		80°	0.410	0.225	0.290	0.343	0.410	0.580	0.710	0.917	1.09	1.52	1.52		
	WT20	70°	110°	0.456	0.250	0.322	0.381	0.456	0.645	0.789	1.02	1.21	1.52	1.52		
	WT27		80°	0.615	0.337	0.435	0.515	0.615	0.870	1.07	1.38	1.63	1.78	2.03		
	WT35		100°	0.798	0.437	0.564	0.667	0.798	1.13	1.38	1.78	2.11	2.03	2.29		
	WT40	70°	80°	0.912	0.499	0.645	0.763	0.912	1.29	1.58	2.04	2.41	2.03	2.29		
WT42		120°	0.957	0.524	0.677	0.801	0.957	1.35	1.66	2.14	2.53	2.03	2.29			
WT48		105°	1.09	0.599	0.773	0.915	1.09	1.55	1.89	2.45	2.89	2.29	2.79			

Flow Rate (LPM) =  $K \sqrt{PSI}$

Spray angle performance varies with pressure. Contact BETE for specific data on critical applications.



## WT FLOW RATES & DIMENSIONS

Materials: Brass, 303 Stainless Steel, 316 Stainless Steel.

Pipe Size	Nozzle Number	Spray Angle		K Factor	Flow Rate (LPM) @ Differential Pressure (bar)								Approx. (mm)		Wt (g)	
					0.3	0.5	0.7	1	2	3	5	7	Inlet Dia.	Orifice Dia.	Metal	Plas.
					bar	bar	bar	bar	bar	bar	bar	bar				
1/4"	WT53		80°	1.21	0.662	0.854	1.01	1.21	1.71	2.09	2.70	3.20	2.29	2.79	85	21
	WT60	70°		1.37	0.749	0.967	1.14	1.37	1.93	2.37	3.06	3.62	2.54	2.79		
	WT68		120°	1.55	0.849	1.10	1.30	1.55	2.19	2.68	3.47	4.10	2.54	3.30		
	WT80		120°	1.82	0.999	1.29	1.53	1.82	2.58	3.16	4.08	4.82	3.30	3.30		
	WT100	70°	115°	2.28	1.25	1.61	1.91	2.28	3.22	3.95	5.10	6.03	3.30	3.56		
	WT130		120°	2.96	1.62	2.09	2.48	2.96	4.19	5.13	6.62	7.84	3.81	4.06		
	WT150		120°	3.42	1.87	2.42	2.86	3.42	4.83	5.92	7.64	9.04	4.06	4.32		
	WT160	70°		3.65	2.00	2.58	3.05	3.65	5.16	6.32	8.15	9.65	4.06	4.32		
	WT180		120°	4.10	2.25	2.90	3.43	4.10	5.80	7.10	9.17	10.9	4.57	4.57		
	WT200	70°	120°	4.56	2.50	3.22	3.81	4.56	6.45	7.89	10.19	12.1	4.57	4.83		
	WT220		120°	5.01	2.75	3.55	4.19	5.01	7.09	8.68	11.2	13.3	4.57	5.59		
	WT240		120°	5.47	3.00	3.87	4.58	5.47	7.73	9.47	12.2	14.5	5.08	5.08		
	WT260		80°	5.93	3.25	4.19	4.96	5.93	8.38	10.3	13.2	15.7	5.08	5.08		
	WT280		80°	6.38	3.49	4.51	5.34	6.38	9.02	11.1	14.3	16.9	5.08	5.59		
	WT300	70°	100°	6.84	3.74	4.83	5.72	6.84	9.67	11.8	15.3	18.1	5.08	5.59		
	WT340		80°	7.75	4.24	5.48	6.48	7.75	11.0	13.4	17.3	20.5	5.59	6.10		
	WT400		80°	9.12	4.99	6.45	7.63	9.12	12.9	15.8	20.4	24.1	6.35	7.11		
	WT480		80°	10.9	5.99	7.73	9.15	10.9	15.5	18.9	24.5	28.9	6.35	6.86		
WT580		80°	13.2	7.24	9.35	11.1	13.2	18.7	22.9	29.6	35.0	6.86	7.62			
WT640		80°	14.6	7.99	10.3	12.2	14.6	20.6	25.3	32.6	38.6	6.86	7.62			
WT680		80°	15.5	8.49	11.0	13.0	15.5	21.9	26.8	34.7	41.0	6.86	8.64			
3/8"	WT100	70°		2.28	1.25	1.61	1.91	2.28	3.22	3.95	5.10	6.03	3.56	3.81	85	21
	WT130		120°	2.96	1.62	2.09	2.48	2.96	4.19	5.13	6.62	7.84	3.56	4.57		
	WT150		120°	3.42	1.87	2.42	2.86	3.42	4.83	5.92	7.64	9.04	4.32	4.57		
	WT160	70°		3.65	2.00	2.58	3.05	3.65	5.16	6.32	8.15	9.65	4.32	4.57		
	WT180		120°	4.10	2.25	2.90	3.43	4.10	5.80	7.10	9.17	10.9	4.32	4.83		
	WT200	70°	115°	4.56	2.50	3.22	3.81	4.56	6.45	7.89	10.2	12.1	4.83	5.08		
	WT220		120°	5.01	2.75	3.55	4.19	5.01	7.09	8.68	11.2	13.3	4.83	5.08		
	WT240		125°	5.47	3.00	3.87	4.58	5.47	7.73	9.47	12.2	14.5	4.83	5.08		
	WT260		120°	5.93	3.25	4.19	4.96	5.93	8.38	10.3	13.2	15.7	4.83	5.84		
	WT270	70°	120°	6.15	3.37	4.35	5.15	6.15	8.70	10.7	13.8	16.3	5.08	5.84		
	WT300		115°	6.84	3.74	4.83	5.72	6.84	9.67	11.8	15.3	18.1	5.08	5.84		
	WT350	70°	115°	7.98	4.37	5.64	6.67	7.98	11.3	13.8	17.8	21.1	6.10	6.35		
	WT400		105°	9.12	4.99	6.45	7.63	9.12	12.9	15.8	20.4	24.1	6.10	6.86		
	WT440	70°	105°	10.0	5.49	7.09	8.39	10.0	14.2	17.4	22.4	26.5	6.60	7.62		
	WT500		105°	11.4	6.24	8.06	9.53	11.4	16.1	19.7	25.5	30.1	6.60	7.11		
	WT560	70°	105°	12.8	6.99	9.02	10.7	12.8	18.0	22.1	28.5	33.8	6.60	7.87		
	WT600	70°		13.7	7.49	9.67	11.4	13.7	19.3	23.7	30.6	36.2	7.87	7.87		
	WT800	70°		18.2	9.99	12.9	15.3	18.2	25.8	31.6	40.8	48.2	6.86	8.64		
WT1000	70°		22.8	12.5	16.1	19.1	22.8	32.2	39.5	51.0	60.3	8.64	9.65			
1/2"	WT500	70°		11.4	6.24	8.06	9.53	11.4	16.1	19.7	25.5	30.1	7.62	7.62	276	113
	WT600	70°		13.7	7.49	9.67	11.4	13.7	19.3	23.7	30.6	36.2	8.38	7.87		
	WT800	70°		18.2	9.99	12.9	15.3	18.2	25.8	31.6	40.8	48.2	9.14	9.14		
	WT1000	70°		22.8	12.5	16.1	19.1	22.8	32.2	39.5	51.0	60.3	9.14	11.2		
	WT1200	70°		27.3	15.0	19.3	22.9	27.3	38.7	47.4	61.1	72.4	10.2	12.2		
3/4"	WT800	70°		18.2	9.99	12.9	15.3	18.2	25.8	31.6	40.8	48.2	9.14	9.65	397	227
	WT1000	80°		22.8	12.5	16.1	19.1	22.8	32.2	39.5	51.0	60.3	10.2	11.2		
	WT1200	80°		27.3	15.0	19.3	22.9	27.3	38.7	47.4	61.1	72.4	11.2	11.2		
	WT1400	80°	115°	31.9	17.5	22.6	26.7	31.9	45.1	55.3	71.3	84.4	11.9	12.2		
	WT1600	90°		36.5	20.0	25.8	30.5	36.5	51.6	63.2	81.5	96.5	12.2	13.0		
	WT1800	90°		41.0	22.5	29.0	34.3	41.0	58.0	71.0	91.7	109	12.7	14.2		
	WT2000	90°		45.6	25.0	32.2	38.1	45.6	64.5	78.9	102	121	13.2	15.0		
	WT2200	90°		50.1	27.5	35.5	41.9	50.1	70.9	86.8	112	133	13.5	16.0		
WT2400	90°		54.7	30.0	38.7	45.8	54.7	77.3	94.7	122	145	14.0	17.5			

Flow Rate (LPM) = K √PSI

Spray angle performance varies with pressure. Contact BETE for specific data on critical applications.

HOLLOW CONE