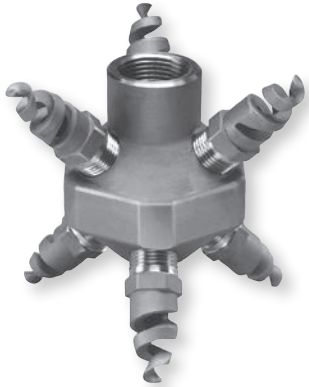




Stationary

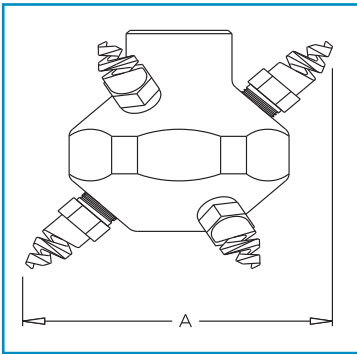


DESIGN FEATURES

- Each nozzle in the stationary manifold is a BETE clog-resistant spiral nozzle of the TF Series
- Can be supplied with various other BETE nozzles for any desired application
- Female connection

SPRAY CHARACTERISTICS

- Spherical omnidirectional coverage
 - Six nozzles arranged in cluster to project spray in all directions
- Spray Angles:** 360°
Flow Rates: 16 to 597 l/min



DIMENSIONS IN MILLIMETERS

Pipe Size	Overall Diameter A	Weight (grams)	
		Metal	Plastic
3/4"	114	998	171
1"	133	1859	312

LEM FLOW RATES

Materials: Brass, 316 Stainless Steel

Female Connection Type	Nozzle Number	Spray Angles	K Factor	Flow Rate (L/min) @ Differential Pressure (bar)								Scrubbing Dia m	Rinsing Dia m
				0.7	1	1.5	2	3	4	5	7		
				bar	bar	bar	bar	bar	bar	bar	bar		
3/4" FNPT/BSP	LEM-6	360°	19.1	16.0	19.1	23.4	27.1	33.2	38.3	42.8	50.6	0.5	1
	LEM-8		36.5	30.5	36.5	44.7	51.6	63.2	72.9	81.5	96.5	1	2
	LEM-10		57.0	47.7	57.0	69.8	80.6	98.7	114	127	151	1	3
1" FNPT/BSP	LEM-12	360°	82.0	68.6	82.0	100	116	142	164	183	217	2	4
	LEM-14		111	92.7	111	136	157	192	222	248	293	2	4
	LEM-16		144	120	144	176	203	249	287	321	380	2	4
	LEM-20		226	189	226	276	319	391	451	504	597	2	5

Flow Rate (GPM) = $K \sqrt{PSI}$

Spray angle performance varies with pressure. Contact BETE for specific data on critical applications.

For special flow rates and nozzle tips contact BETE.