

HydroWhirl® Stinger



(HWS2) Reactionary Force Slotted Spray Nozzle



DESIGN FEATURES

- Patent-pending no-weld design eliminates weak points and uneven surfaces
- Bearing assembly is centered within the spray head for improved balance and spray propagation
- Better spray uniformity can be maintained at lower pressures
- Unique patent-pending pipe thread technology flushes to reduce contamination and bacteria growth
- Zirconia Ceramic Bearings for long service life and extreme chemical resistance
- Operates in any direction

SPRAY CHARACTERISTICS

- Vigorous spray action
- Optimum cleaning performance @ 2 bar

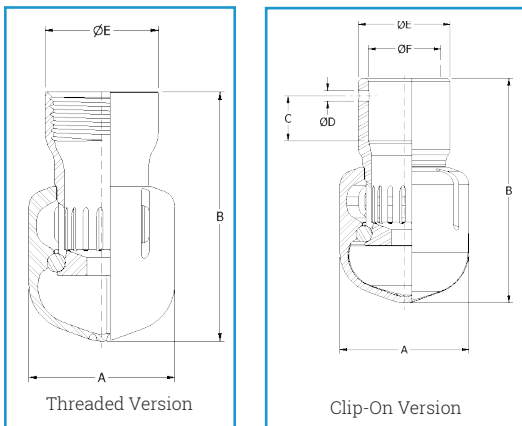
Spray Angles: Complete 360° spray coverage

Flow Rates: 4.15 to 380 L/min

Max Temperature: 200°F/93°C

Filtration: Line strainer with a mesh size 0.10mm/150 mesh for flow rates > 11 LPM

Line strainer with a mesh size 0.07mm/200 mesh for flow rates < 11 LPM



DIMENSIONS IN MILLIMETERS (CLIP-ON)

Tube Size	A	B	C	D	E	F	Weight (grams)	Min Tank Entry Dia. (mm)
1"	47	86.4	21.3	3.96	33.5	25.4	340	47.0
3/4"	34.3	72.2	12.4	2.18	26.9	19.0	175.77	34.3
1/2"	21.6	48.3	12.6	2.18	21.3	12.7	65.2	30.2
3/8"	15.2	34.9	8.61	2.18	14.2	9.52	22.7	22.9

DIMENSIONS IN MILLIMETERS (THREADED)

Pipe Size	A	B	E	Weight (grams)	Min Tank Entry Dia. (mm)
1"	47	80.0	36.6	298	46.99
3/4"	34.3	69.1	29.2	146	34.29
1/2"	34.3	60.3	24.1	134	34.29
3/8"	21.6	45.97	19.1	40	22.86
1/8"	15.2	31.7	12.75	28	16.00

HYDROWHIRL® STINGER FLOW RATES

Materials: 316L stainless steel body, Ceramic bearings

Female Connection Type	Nozzle Number	Spray Angles	Flow Rate (LPM) @ Differential Pressure (bar)					Maximum Free Passage	Coverage Dia. @ 2 bar
			0.7	1	2	3	4		
			bar	bar	bar	bar	bar		
1/8" NPT 3/8" Tube Clip-On	HWS2-2.1	360°	4.15	4.92	6.83	8.27	9.48	0.64	0.6
	HWS2-4		7.8	9.27	13	15.8	18.1	0.99	2
	HWS2-7.5		14.6	17.4	24.3	29.6	34	1.60	2
3/8" NPT 1/2" Tube Clip-On	HWS2-10	360°	18.8	22.6	32.1	39.5	45.7	0.61	2
	HWS2-12		23.7	28.1	39	47.3	54.2	0.99	3
	HWS2-17		32.8	39.1	54.9	67.1	77.3	2.00	3
1/2" NPT	HWS2-20	360°	39	46.3	64.8	78.9	90.6	0.99	3
	HWS2-26		49	58.8	83.6	103	119	1.63	3
3/4" NPT 3/4" Tube Clip-On	HWS2-20	360°	39	46.3	64.8	78.9	90.6	0.99	3
	HWS2-26		49	58.8	83.6	103	119	1.63	3
1" NPT 1" Tube Clip-On	HWS2-33	360°	63.5	75.7	107	130	150	0.79	3
	HWS2-55		105	126	177	217	251	1.63	4
	HWS2-66		127	152	213	260	300	2.39	4
	HWS2-84		165	195	272	331	380	3.18	4

*Flow rates represent threaded connections with a 360° spray angle.

*Flow rates may vary for other connection types and spray angles.