

HydroWhirl® Orbitor 100

High Impact Rotary Tank Cleaning Machine

DESIGN FEATURES

- Easily field-serviced to reduce maintenance costs
- Minimum moving parts to extend operating life
- Self-cleaning; self-lubricating
- High-impact jets; orbital wash pattern = high efficiency cleaning process
- Ideal for small to medium tanks, easily fits through Ø4" (100 mm) openings or Ø3.35" (85 mm) when nozzle head vertically aligned
- 4 nozzle configurations
- Female connections

SPRAY CHARACTERISTICS

- 360° wash pattern
 - Variable cycle times
 - High impact cleaning
- Flow rates:** 12 - 52.4 gpm
Working Pressure: 45 - 145 psi

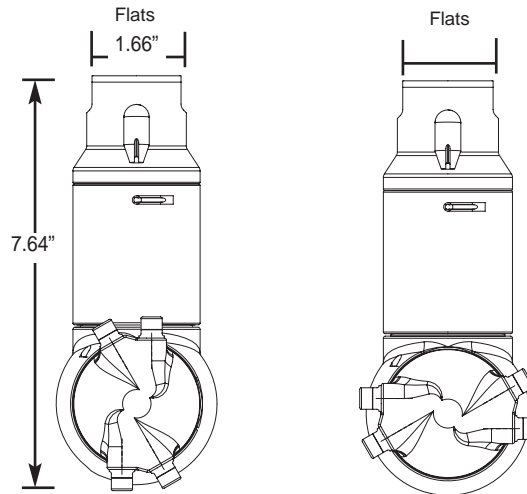
Materials:

Housing and Nozzle Head: 316L
 Gears: PEEK + 316 SS
 Bushings/Seals: Carbon Filled PTFE

Max. Working Temp.: 200 °F (95 °C)

Max. Ambient Temp.: 285 °F (140 °C)

Weight: 5.5 Lbs



Vertical Nozzle Head Alignment
 Clearance Diameter: 3.35"

Horizontal Nozzle Head Alignment
 Clearance Diameter: 3.94"



All HydroWhirl Orbitor 100 tank cleaning machines are available with ATEX approval

Performance may vary with ATEX models.



4 nozzle spray pattern

Jet lengths are effective cleaning lengths

# Nozzles X Orifice Size	4 x 3mm			4 x 4mm			4 x 5mm			4 x 6mm		
	Flow (gpm)	Jet Length (ft)	Cycle Time (min)	Flow (gpm)	Jet Length (ft)	Cycle Time (min)	Flow (gpm)	Jet Length (ft)	Cycle Time (min)	Flow (gpm)	Jet Length (ft)	Cycle Time (min)
45	12.0	3.3	6.0	17.8	6.6	5.4	23.7	8.2	4.4	30.6	9.8	3.9
60	13.9	4.9	5.4	20.3	8.2	4.7	26.7	9.8	3.9	34.0	11.5	3.4
75	15.8	6.6	4.8	22.7	9.8	4.1	29.6	11.5	3.4	37.3	13.1	3.0
90	17.6	6.6	4.3	25.1	9.8	3.6	32.3	11.5	3.0	40.6	13.1	2.6
100	18.8	8.2	4.0	26.6	11.5	3.3	34.1	13.1	2.8	42.8	14.8	2.4
115	20.5	8.2	3.6	28.9	11.5	2.9	36.7	13.1	2.4	46.0	14.8	2.1
130	22.2	9.8	3.2	31.2	13.1	2.7	39.1	14.8	2.2	49.2	16.4	1.9
145	23.9	11.5	2.9	33.4	13.1	2.5	41.4	14.8	2.0	52.4	16.4	1.7