

HYDROPULSE® - ELECTRIC - EHP - FOOD GRADE HYGIENIC DESIGN

Liquid inlet connection	1/8", NPT or BSPP; or 1/2" Tri-Clamp
Maximum liquid flow rate	3.8 LPM
Maximum rated pressure	17 bar
Thermal insulation class	F 155°C
Power	9.3W @ 24VDC
Maximum cycle frequency	150 cycles/sec
Nozzle construction	All stainless steel wetted components, Food grade Viton® (FKM) seals compliant with 21 CFR 177.2600, hygienic design
Interchangeable BJ, BJH, and CW nozzle tip options.	



HYDROPULSE® - ELECTRIC - EHPI - INDUSTRIAL DESIGN

Liquid inlet connection	1/8", NPT or BSPP
Maximum liquid flow rate	3.8 LPM
Maximum rated pressure	20 bar
Thermal insulation class	F 155°C
Power	10.4W @ 24VDC
Maximum cycle frequency	50 cycles/sec
Nozzle construction	Stainless steel wetted components, Viton® (FKM) seals
Interchangeable BJ, BJH, and CW nozzle tip options.	



BENEFITS

- Precision volume sprays directly on the target
- Reduced waste and minimal over spray maintains a clean, safe environment
- Uniform and repeatable coverage improves product consistency
- Each nozzle provides a wide range of flow rates

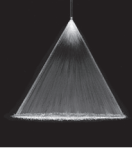
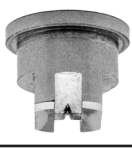
BETE's electric-actuated HydroPulse Spray Nozzles assure precision volumes are sprayed directly onto your processing target, with overspray waste virtually eliminated. Pair with the BETE® FlexFlow™ Precision Spray Control System to achieve uniform coverage, even if you adjust your conveyor speed.

Electric HydroPulse spray nozzles do not require a compressed air source and are capable of cycling on/off up to 150 cycles per second.

These features afford the option of using high-frequency cycling known as Pulse Width Modulation (PWM) to vary the liquid spray flow rate at constant supply pressure with little change in spray performance by adjusting the duty cycle. When the spray cycles at a high enough frequency, coverage uniformity is maintained because the duration between pulses of spray is short enough to ensure there are no gaps in the spray coverage.

Flow Rates of BJ (Fan) Tips on EHP and EHPI Bodies, L/min*

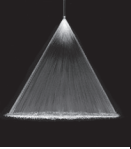

0°, 15°, 25°, 40°, 50°, 65°, 80°, 95°, 110° Spray Angles, Standard Materials 303 and 316 Stainless Steel

	Nozzle Inlet Pressure, bar								
	0.3	0.5	1	2	3	5	10	15	
**BJ0067	0.083	0.11	0.15	0.21	0.26	0.34	0.49	0.61	
BJ01	0.12	0.16	0.22	0.31	0.38	0.49	0.72	0.87	
BJ015	0.18	0.23	0.33	0.45	0.57	0.76	1.1	1.3	
BJ02	0.23	0.3	0.42	0.61	0.76	0.98	1.4	1.7	
BJ03	0.34	0.45	0.61	0.87	1.1	1.4	2	2.5	
BJ04	0.42	0.57	0.79	1.1	1.4	1.8	2.5	3.1	
BJ05	0.53	0.68	0.95	1.3	1.6	2	2.9	3.5	
BJ06	0.61	0.76	1.1	1.5	1.8	2.3	3.2	3.8	
BJ08	0.72	0.91	1.2	1.7	2	2.6	3.6		
BJ10	0.79	0.98	1.4	1.9	2.2	2.8	3.8		
BJ15	0.95	1.1	1.5	2	2.4	3	3.8		
BJ20	0.98	1.2	1.6	2.1	2.5	3.1			
BJ30	1.1	1.3	1.7	2.2	2.6	3.1			

**Only available in angles up to and including 65°

Flow Rates of BJH (Fan) Tips on EHP and EHPI Bodies, L/min*

5° to 120° Spray Angles, Tungsten Carbide Insert with 303 Stainless Steel Housing


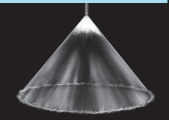
	Nozzle Inlet Pressure, bar					
	2	3	5	10	15	
BJH-0.18			0.038	0.057	0.068	
BJH-0.28			0.098	0.14	0.17	
BJH-0.38			0.18	0.25	0.31	
BJH-0.45	0.16	0.19	0.25	0.35	0.42	
BJH-0.53	0.21	0.26	0.33	0.45	0.57	
BJH-0.66	0.33	0.42	0.53	0.72	0.91	
BJH-0.78	0.45	0.57	0.72	1	1.2	
BJH-0.89	0.57	0.72	0.91	1.3	1.6	
BJH-0.99	0.72	0.87	1.1	1.6	2	
BJH-1.14	0.95	1.1	1.5	2	2.5	
BJH-1.29	1.1	1.4	1.8	2.5	3	
BJH-1.45	1.4	1.7	2.1	2.9	3.5	
BJH-1.60	1.5	1.9	2.3	3.2	3.8	
BJH-1.80	1.7	2	2.6	3.5		
BJH-1.91	1.8	2.2	2.7	3.7		

Tungsten carbide orifice inserts for maximum wear resistance and service life.

* Maximum flows shown above. Flow rates can be turned down to 5% of listed value using PWM (Pulse Width Modulation). Contact BETE for details.

Flow Rates of CW (Full or Hollow Cone) Tips on EHP and EHPI Bodies, L/min*

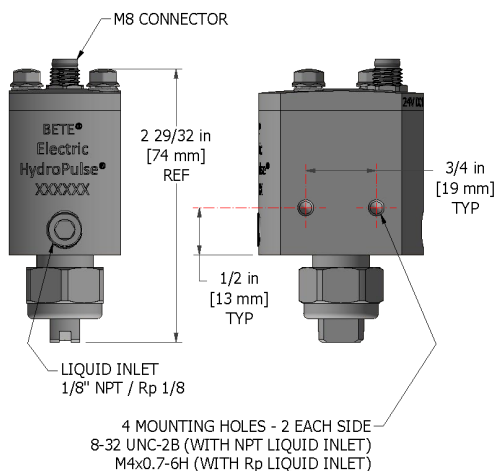
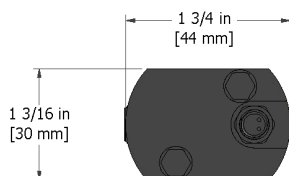
80° and 120° Spray Angles, Standard Materials 303 and 316 Stainless Steel

	Nozzle Inlet Pressure, bar							
	0.3	0.5	1	2	3	5	10	15
								
CW-25F	0.31	0.38	0.53	0.76	0.91	1.2	1.7	2
CW-50F	0.53	0.68	0.95	1.3	1.6	2	2.8	3.4
CW-75F	0.72	0.91	1.2	1.7	2	2.6	3.5	
CW-100F	0.83	1	1.4	1.9	2.2	2.8	3.8	
								
CW-25H	0.31	0.38	0.53	0.76	0.91	1.2	1.7	2
CW-50H	0.53	0.68	0.95	1.3	1.6	2	2.8	3.4
CW-75H	0.72	0.91	1.2	1.7	2	2.6	3.5	
CW-100H	0.83	1	1.4	1.9	2.2	2.8	3.8	



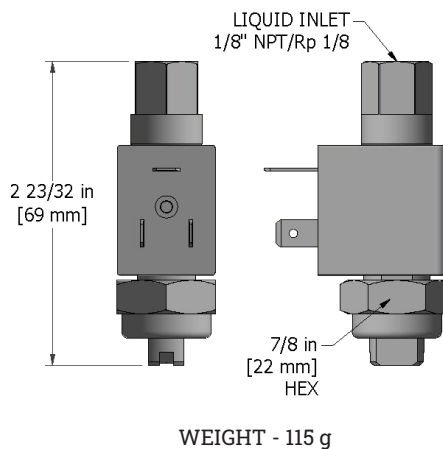
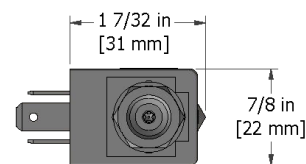
* Maximum flows shown above. Flow rates can be turned down to 5% of listed value using PWM (Pulse Width Modulation). Contact BETE for details.

EHP Nozzle



WEIGHT - 385 g

EHPI Nozzle



WEIGHT - 115 g