

FINZ™

High Impact Fan Air Nozzle

DESIGN FEATURES

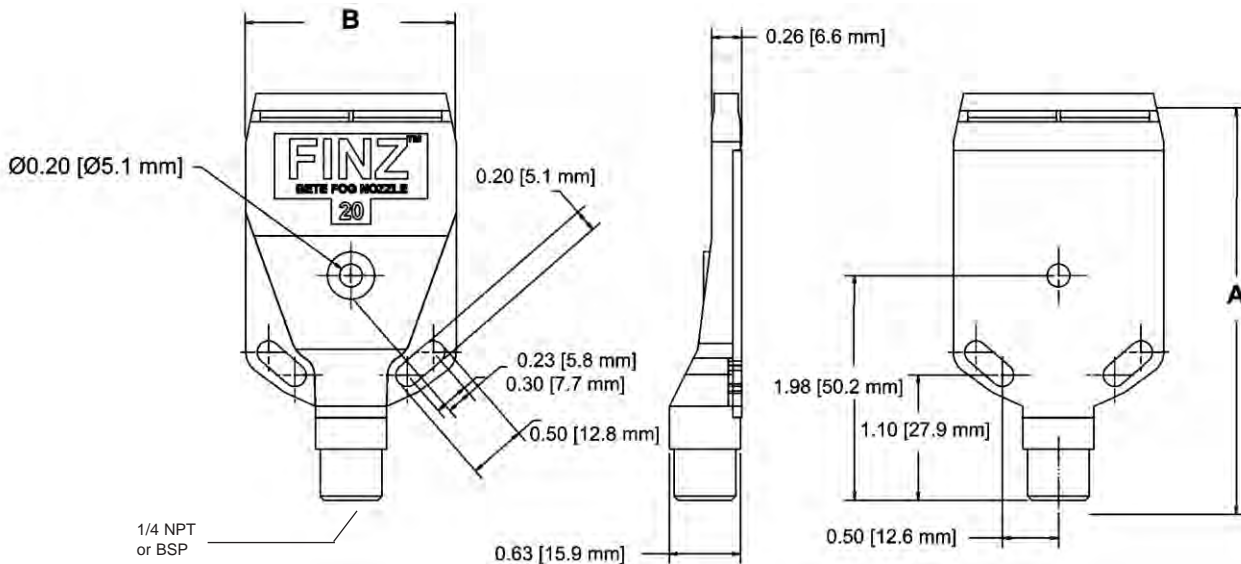
- Controlled wide uniform distribution and high impact coverage of compressed air
- Can be mounted individually or side-by-side for greater coverage
- Efficient air flow with unique eductor feature
- Safe operation—meets OSHA specifications for noise and deadhead pressure
- 1/4" male connection is molded to fit either NPT or BSP
- Up to 2 dB quieter than competing designs

- Rugged construction of Ryton® or ABS plastic.
Ryton® (black) rated to 300°F at 40 psi;
ABS (orange) rated to 155°F at 100 psi.
- Maximum operating pressure 100 psi

SPRAY CHARACTERISTICS

Spray pattern: Fan

Air Flow Rates: 4 to 41 SCFM at 10 to 90 psi



Dimensions are approximate. Check with BETE for critical dimension applications.

FINZ

High Impact Air Nozzle

Male NPT BSP	Nozzle Number	Air Capacity SCFM				Approx. Dim. in.		Wt. (oz.)
		10 PSI	30 PSI	60 PSI	90 PSI	A	B	
1/4"	FZ20	4	8	12	16	3.58	1.85	1.0
	FZ29	7	13	21	28			
	FZ41	9	18	30	41			

Standard Materials: Ryton® and ABS plastic.

Ryton is a trademark of Phillips Petroleum company

SPECIAL PURPOSE

CALL 413-772-0846
Call for the name of your nearest BETE representative.